

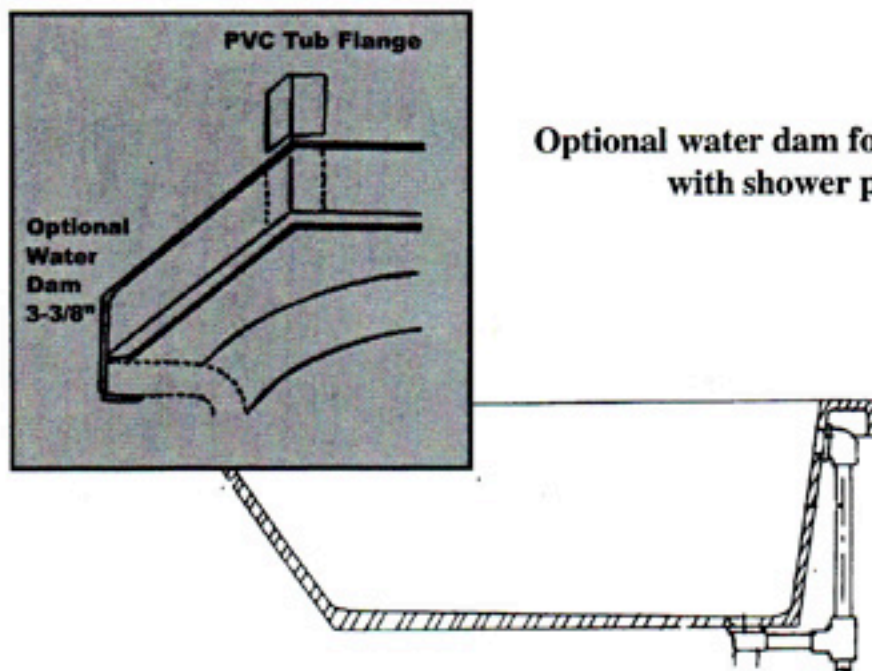
Installation Instruction For Vanity Tops

- Step 1:** Measure cabinet and wall area. Check vanity top measurement.
- Step 2:** Make a trial fit. Trim drywall or sand unfinished edge if necessary.
- Step 3:** Remove vanity top and put a dab of caulking in the four corners of the cabinet and install the top
- Step 4:** Caulk the top where it meets the wall (use a good latex caulk).
- Step 5:** If end splashes are used, attach to the wall with adhesive and caulk the seams.
- Step 6:** Clean the latex caulking residue with a damp sponge. Use a cheese cloth pad soaked in denatured alcohol, if silicone caulk is used.
- Step 7:** Wax top with high quality paste or Gel Gloss™ once a year.
- Step 8:** For safety sake keep your hot water temperature below 130°.



2101 Ninth St. S.W.
Massillon, OH 44647
330-837-2216

www.meridiansolidsurface.com



Optional water dam for built-in tubs with shower panels

INSTALLATION OF TUB SKIRTS

Step 1: After tub is installed, set and glue toe molding "A" in place. Be sure to level. Grinding or cutting may be necessary. This is the only piece of kit to be glued in permanently.

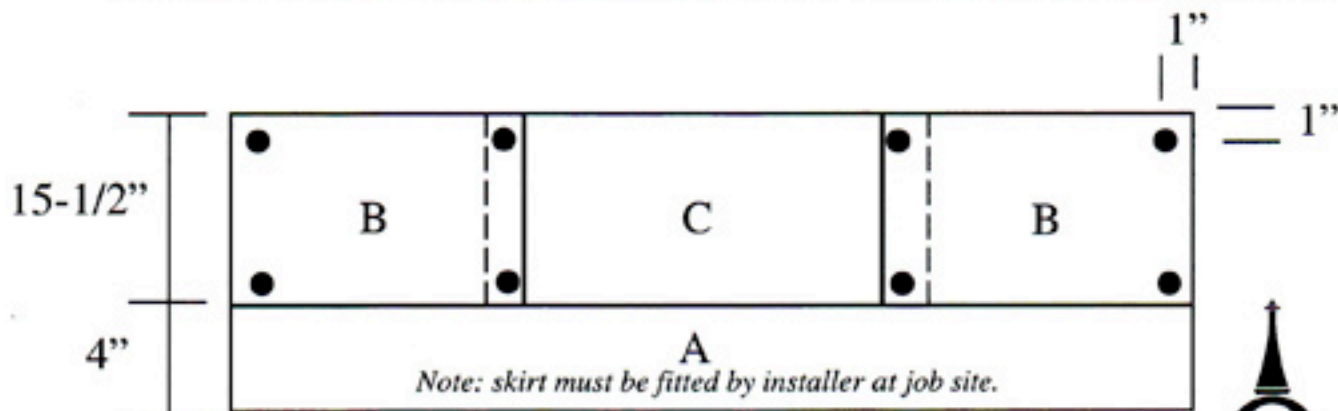
Step 2: Install skirt pieces "B". You may use a couple dabs of hot melt glue to hold each piece in place. Pieces "B" and "C" may have to be trimmed.

You may use one piece skirt and consolidate steps #2 and #3

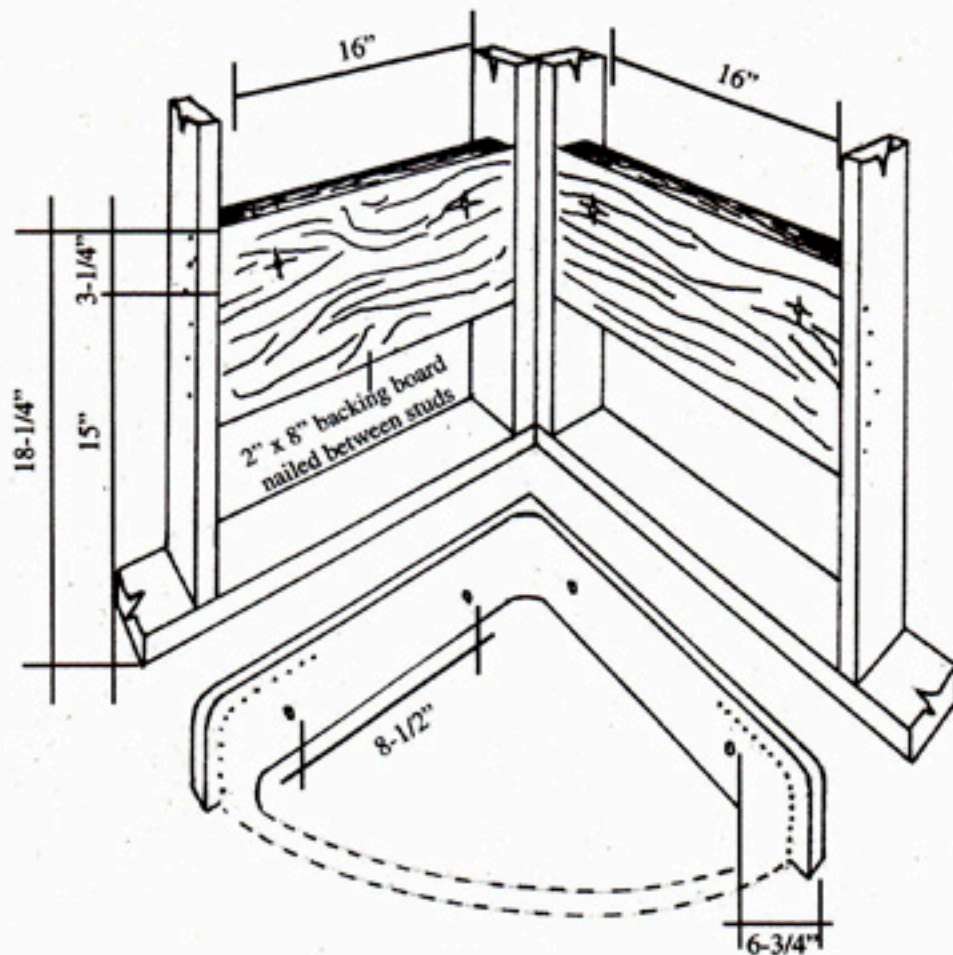
Step 3: Install piece "C" so that it is centered.

Step 4: Drill eight 5/16 holes approximately 1" in from each corner and install screws and caps.

CAUTION: DO NOT OVER TIGHTEN SCREWS. There must be wood backing in these locations for screws to hold.



Note: skirt must be fitted by installer at job site.



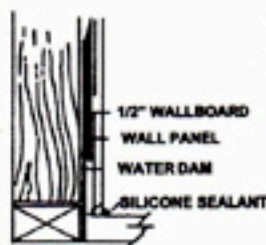
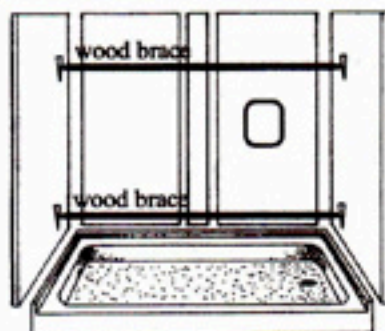
Installation Instruction For Corner Shower Seat

- Holes drilled through the back walls of the seat to accept 3" x 1/2" stainless steel lag bolts
- Drill all holes in wall panel and seat at least 1 size larger than lag bolt.

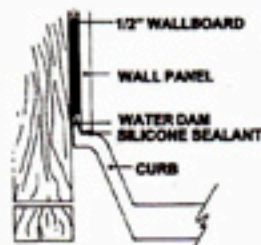
The holes in the backing boards are achieved by placing the seat in position with the top edge 18-1/4" above the floor and drill through pre-drilled holes in the seat into and through the backing boards.

NOTE: The shower pan, WP drywall and wall panels have been omitted from illustration for sake of clarity.

These drawings show corner shower seat and site preparation for installation. Both WP drywall and wall panels must be in position before locating the seat. Only then should mounting holes be drilled for installation.



CUSTOM PAN



STANDARD PAN

Installation Instruction For Shower Panels

PLEASE READ BEFORE INSTALLATION (YOU WILL BE GLAD YOU DID).

1. Be sure tub or shower base is properly installed and level.
2. It's best to dry fit wall panels before permanent installation.
3. If recess soap and shampoo holders are going to be used be sure to locate area, making sure there are no wires or pipes in the way. It is O.K. to cut the hole in the dry wall at this point. The hole is usually 1/2" smaller than the soap and shampoo dish.
4. Clean dust from back of panels and dry wall. Denatured alcohol does a great job cleaning the back panels.
5. Cut holes for faucets and recessed accessories. A standard hole saw, usually 1-1/4" will work for faucets. Use a jig saw for cutting larger holes. **DO NOT LEAVE ANY SQUARE INSIDE CORNERS.** Cut from FINISHED SIDE, but be sure to PROTECT SURFACE with masking tape.
6. Install back wall panels first using a good panel adhesive or silicone adhesive calk. Run a continuous bead around perimeter of panel in about 1-1/2". Then apply more adhesive in large drops approx. 3 feet apart, FORM AN "X" (follow instructions on adhesive container).
7. Follow the same as step #6 for end panels.

Note: To hold panels in place hot melt glue will work. Apply hot melt glue on each corner approx. 1" in, or cut 1" x 4" or 2" x 4" brace and wedge between the two side panels. Be sure to protect the panels surfaces with flat boards or towels. SEE DRAWING ABOVE.

Note: There should be no more than 1/8" gap around the panels bottom and vertical corners.
8. Install any accessories.
9. Caulk using silicone or acrylic latex (DAP TUB AND TILE CAULK OR OTHER SIMILAR PRODUCTS)

Note: Tower products can be cut using a masonry blade in a circular saw or by sanding with 80 grit sandpaper on a belt sander. Moisture resistant wallboard or cement board should be installed down to water dam of a shower base.

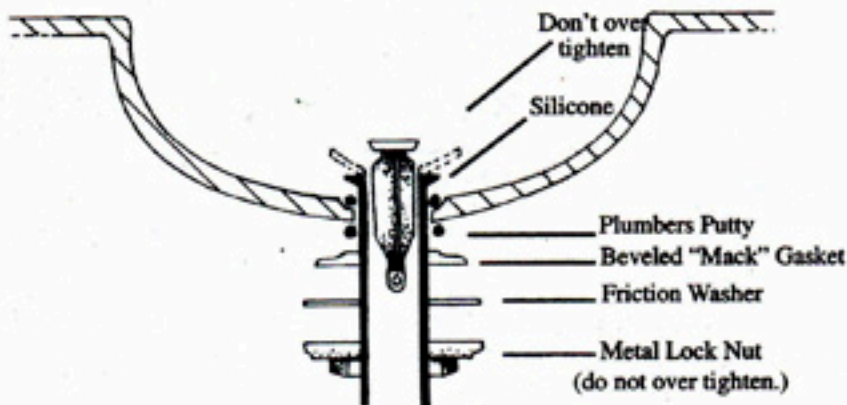
INSTALLATION OF SHOWER PANS

1. Ensure that all debris is cleared from the area and stud walls are free of protruding nails.
2. Place shower base in place to ensure that it is level (does not rock and fits snugly to studs on all sides).

Note: It is important you check level front to back and side to side. Put your level on top of curb/water dam.

Note: You must use mortar mix, thin set, or floor leveling adhesive under your base to ensure the base is level and has full, even contact with floor.
3. Install floor drain according to instructions provided with drain.
4. Moisture resistant wallboard or cement board should be installed down to water dam.

POP-UP ASSEMBLY



Installation Instruction For Vanity Sinks

NOTE: Silicone (adhesive) caulk will not discolor solid surface or cultured products. Plumbers putty is ideal to use between beveled gasket and under side of sink for extra insurance against leakage and also eliminates need for overtightening. Silicone caulk can easily be removed with alcohol (before it sets up).



**TOWER
INDUSTRIES**

2101 Ninth St. S.W.
Massillon, OH 44647
330-837-2216

www.meridiansolidsurface.com