

MERIDIAN SOLID SURFACE ONE-PIECE SHOWER

Model # MSB3753675SACC

37.5" x 36.75"

Accessible Center Drain

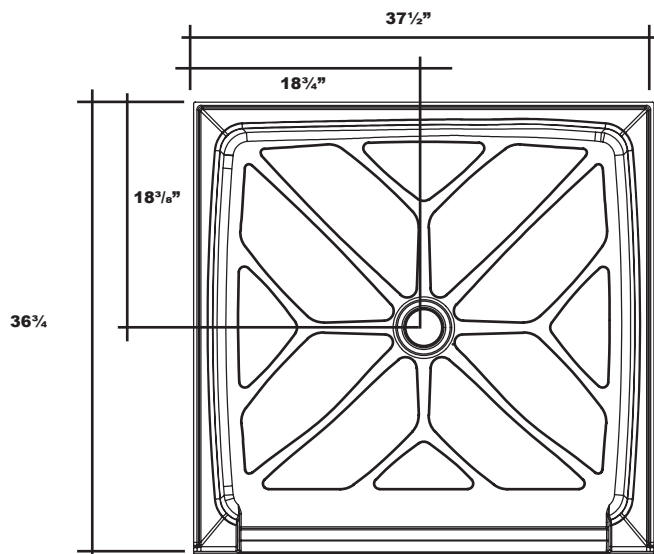
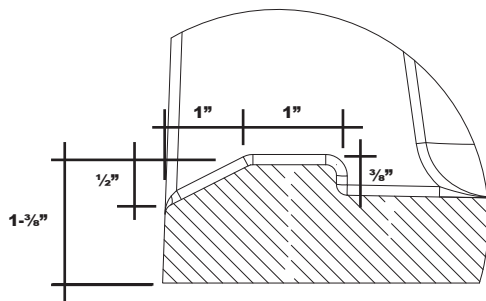


Special Note:

- Interpretation and enforcement of ADA guidelines varies from state to state. Please consult with your local enforcement agency prior to specifying or purchasing this product.

- Integral shower floor and threshold for alcove installation
- Choose from a variety of solid colors and granite-patterned colors
- Easy to clean surface, does not promote mold or mildew
- Textured flooring helps prevent slipping
- Tapered floor helps water flow to drain
- Rigid water barrier integrated into base
- Uses standard 2" NPS strainer assembly
- Certified by Home Innovation Research Labs to the harmonized CSA B45.5/IAPMO Z124
- Approved by the Massachusetts Board of Examiners of Plumbers and Gasfitters

Threshold Detail



Section Thru Waterdam

