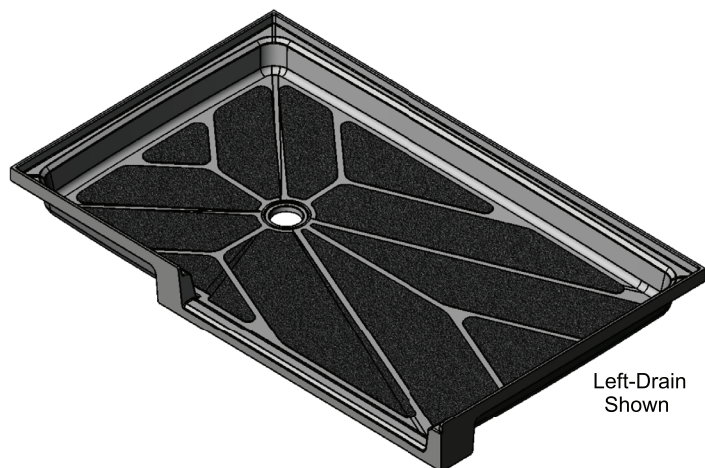


MERIDIAN SOLID SURFACE ONE-PIECE SHOWER BASE

Model # MSB615375SACCWWOL (Left-Drain)
 Model # MSB615375SACCWWOR (Right-Drain)

61.5" x 37.5" Wing Wall Accessible Offset Drain



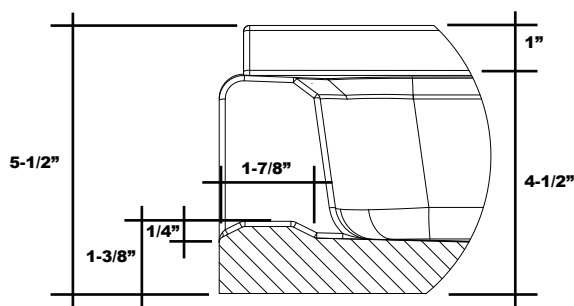
Left-Drain
 Shown

Special Note:

- Interpretation and enforcement of ADA guidelines varies from state to state. Please consult with your local enforcement agency prior to specifying or purchasing this product.

- Integral shower floor and threshold for alcove installation
- Choose from a variety of solid colors and granite-patterned colors
- Offset drain configuration allows base to be used for right or left drain installation
- Easy to clean surface, does not promote mold or mildew
- Textured flooring helps prevent slipping
- Tapered floor helps water flow to drain
- Rigid water barrier integrated into base
- Uses standard 2" NPS strainer assembly
- Certified by Home Innovation Research Labs to the harmonized CSA B45.5/IAPMO Z124
- Approved by the Massachusetts Board of Examiners of Plumbers and Gasfitters

Threshold Detail



Section Thru Waterdam

