



Installation Handbook

**Please read before installing
Meridian Solid Surface
Shower Products**

Table of Contents

Tools of the Trade	2
Shower Bases	4-7
Drain Installation	8-10
Independent Threshold	11-12
Shower Ceiling Panels	13-15
Shower Wall Panels	16-19
Shower Trim Pieces	20-21
Corner Soap and Shampoo Caddy	22-24
Recessed Soap and Shampoo Holder	25-27
Corner Shower Seat	28-29
Grab Bar	30-31
Ligature Resistant Drain Cover	32-33
Adhesive Usage Chart	34
Complete Shower Installation Diagrams	35-40
Care and Cleaning Meridian Surfaces	41
Installation Tips	42
Tower Surfaces Contact Information	42

Go to <https://www.youtube.com/TowerSurfaces> for Installation Videos

TOOLS OF THE TRADE

You can complete the majority of solid surface projects using simple woodworking tools, such as a router, random orbit sander, circular saw, hot glue gun, adhesive dispensing gun and a straight edge/rip fence. Of course, many more expensive, professional-grade industry tools exist, but we've done our best to show you how to work with solid surface using basic tools.

Here they are:

Large Level

For leveling the shower base and to use as a straight edge for cutting.

1/2" Trowel and Bucket

For use in spreading adhesive under shower base.

Pipe Wrench

To secure drain in place. A Razorback Tool is recommended.

Circular Saw with Carbide Blade

An 18-volt cordless circular saw will cut 1/2" thick solid surface material. For anything thicker, a corded 7 1/4" circular saw is fine. For both, a thin 24 tooth carbide tipped blade will work for rough cuts and a 40 tooth for smoother edges.

Router

A router is typically used for putting the finishing touch on edges that are to be seamed, for creating the final edge profile or creating a curved piece with a template used as a guide.

Straight Edge

Choose a straight edge that is long enough to be clamped at each end to the material and is thick enough to easily guide the router. TIP: if you don't have such a straight edge, you can use a long level or any other stiff, thick straight item.

Hot Melt Glue Gun

The hot melt glue gun is used to temporarily secure panels and trim pieces as the permanent adhesive dries.

Adhesives, Dispensing Gun, and Tips

A transparent caulking, which also serves as a gap filler, is available to help make the seam invisible. The adhesive dispensing gun and tips are for applying adhesive to the material surfaces to be joined.

Random Orbit Sander and Abrasive Kits

Random orbit sanders are used for sanding the surfaces to the finish that is desired. An inline sander or belt sander will leave visible sanding marks and is not recommended for a final finish.

INSTALLATION OF SHOWER BASES/PANS

Supplies You May Need:

Large Level	Bucket and mixing tool
Clean Rags or Paper Towels	Tape Measure
1/2" Notched Trowel	Plumbers Putty (Stain-less)
Pipe Wrench (Razorback tool Recommended)	Drain Strainer Assembly
Mapei Ultracontact adhesive	

Step 1:

Thoroughly inspect the shower base to assure that no damage has occurred during shipping or handling. **DO NOT** proceed with installation if there is any sign of damage or defects.

Step 2:

Clear the installation area of all debris and remove any protruding nails or foreign objects from the surrounding walls. The subfloor beneath the shower base must be continuous with no voids or openings that cannot be fully filled with the installation adhesive. The goal is to provide full, even contact between the shower base and the subfloor.

Step 3:

Check the subfloor for level and **DO NOT** install the base if the subfloor is not level.

- If the subfloor is significantly out-of-level, such that the condition cannot be corrected with shims or additional adhesive, you may need to apply a floor-leveling compound and wait for it to cure prior to proceeding with the installation.

Clear area of all debris (Step 2)



Step 4:

Dry fit the shower base in the installation area to confirm that the shower base fits and the drain lines up within the confines of the intended space. There should be a one-eighth inch space between the outside edges of the shower base and each of the surrounding walls or

studs. This space will allow the shower base to expand and contract with temperature changes and will be ultimately concealed by your moisture resistant wall-board.

Important Note:

- **There should be no more than 6" of unsupported area around the shower drain.**
- **A product called "Smooth-On Foam- IT15" may be used to fill any voids.**

Step 5:

Identify any low areas in the subfloor and mark them so that additional adhesive can be applied in these areas to ensure full, even contact between the shower base and the subfloor.

Step 6:

Identify any areas where shims may be necessary and hot melt glue them into place, keeping in mind that you will need to apply additional adhesive in these areas to ensure full, even contact between the shower base and the subfloor.

Dry Fit Base and Level (Step 4)



1/8" Gap between wall and base (Step 4)



Step 7:

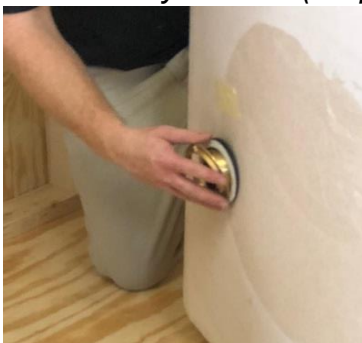
Remove the base after dry fitting and install the shower drain strainer assembly into the shower base orifice according to the instructions provided with the drain. The drain may be installed after the installation is complete, but ONLY if you will have access to the drain orifice from underneath the installed base.

❖ *Recommended Products:*

Tower Industries recommends the use of synthetic (non-oil-based) plumbers putty, such as Hercules "Sta-Put" or any plumbers putty noted as "stain-less".

Tower Industries recommends the use of a Razorback Wrench to tighten the locknut on the bottom of the shower drain assembly. This specialized tool applies additional pressure during the tightening process, resulting in a tighter seal.

Drain Assembly at base (Step 7)



Razorback Wrench (Step 7)



Step 8:

Using a 1/2" notched trowel, apply Mapei Ultracontact adhesive to the subfloor where the base will be installed. Ensure that the adhesive is spread thoroughly and evenly so as to provide full, even contact between the shower base and the subfloor below. (i.e. the adhesive should completely fill all voids between the bottom of the base and the floor / sheathing). If you are shimming your shower base or if you identified any low areas during the dry-fit stage, you will need to apply additional adhesive in these areas to ensure full, even contact between the shower base and the subfloor.

Apply Adhesive using 1/2" Notched Trowel (Step 8)



Mapei Ultracontact Adhesive



Step 9:

Set the base in place on top of the adhesive, being sure not to drag the base or otherwise disturb the even distribution of adhesive on the subfloor. Check that the shower base is level, both front-to-back and side-to-side, by placing a level on top of the water dams. Careful attention to this step will ensure proper drainage during use. After the base has been fully leveled, allow the adhesive to set before stepping on it.

Shower Base being set in adhesive (Step 9)



Level on top of water dam (Step 9)



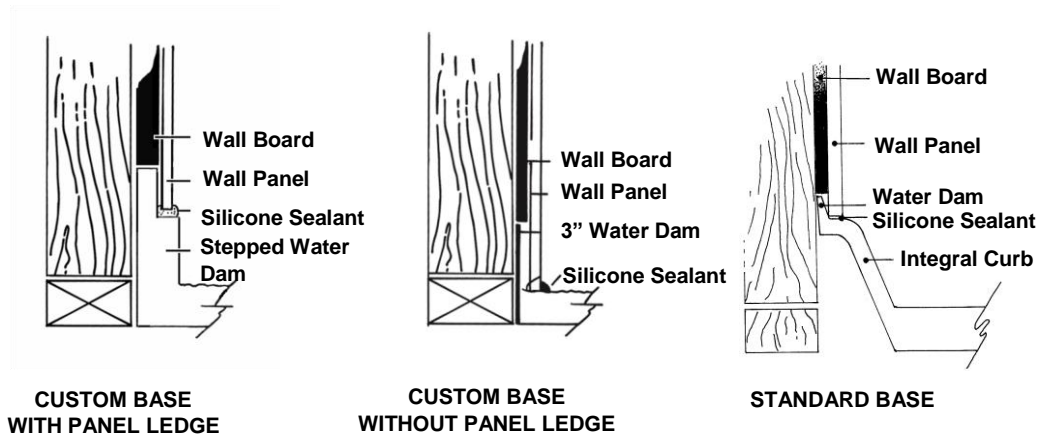
Step 10:

Moisture-resistant wall board should be installed on the adjacent walls after the shower base has been set. The wallboard will abut to the highest point of the water dam. See detail sections below for additional information and refer to the Installation Instructions for Shower Wall Panels to proceed with your installation.

Install moisture-resistant wallboard just above water dam (Step 10)



Detailed Section View



All installation instructions are provided as a recommendation only and are not intended for design purposes. Tower Industries makes no representations or warranties of any kind concerning these instructions. Tower Industries strongly recommends that the installer test the installation materials and methods in the anticipated service conditions to determine suitability. Due to variances in adhesives, installation skill, and jobsite conditions, Tower Industries cannot accept liability for the results obtained.

INSTALLATION INSTRUCTIONS FOR OATEY DRAIN, PRODUCT #42150

Supplies You May Need:

Oatey Drain Assembly	Plumbers Putty
Clean Rags or Paper Towels	Pipe Wrench (Razorback Tool Recommended)

The following **MUST** be done prior to the installation of the shower base.

Step 1:

Take the assembled Oatey drain unit and unscrew the LOCKING NUT, removing it along with the FIBER GASKET and the RUBBER GASKET. (See detail on page 8)

Step 2:

Apply plumbers putty to the underside of the flange on the Oatey Drain unit as shown below. Insert the Oatey drain unit through the top of the shower base drain orifice.

Wrap drain with plumbers putty (Step 2) *Insert drain through top of shower base (Step 2)*



❖ *Recommended Product:*

Tower recommends the use of synthetic, non-oil-based plumbers putty, such as Hercules "Sta-Put" brand or any plumbers putty noted as "stain-less".

Step 3:

On the underside of the shower base, put the RUBBER GASKET and FIBER GASKET back over the threaded part of the Oatey drain assembly and screw on the LOCKING NUT. Make sure that the FIBER GASKET is closest to the LOCKING NUT. Use pipe wrench or Razorback Wrench to tighten. The plumbers putty should squeeze out around the sides between the drain body and the base. Clean off the extra putty with a clean towel.

❖ Recommended Product:

Tower Industries recommends the use of the RAZORBACK WRENCH for tightening of the LOCKING NUT & CAULKING NUT in order to obtain the torque necessary for a tight fit.

Important Notes:

- **Drain pipe should be cut to point of being flush with height of base drain once base is installed.**
- **A pipe deburring tool may be used to avoid hair build up in drain.**
- **There should be no more than a 6" unsupported area around the shower base drain.**
- **You may use "Smooth-On Foam- IT15" to fill any voids. (This is 4x expansion foam)**

Step 4:

The shower base can now be installed. Remove the STRAINER from the Oatey drain assembly. (MAKE SURE THAT THE BEVELLED END OF THE GASKET IS FACING UP AND IS FLUSH WITH THE PIPE SURFACE.) As the shower base is being lowered into place, make sure that the RUBBER CAULKING GASKET is slid over the pipe stub.

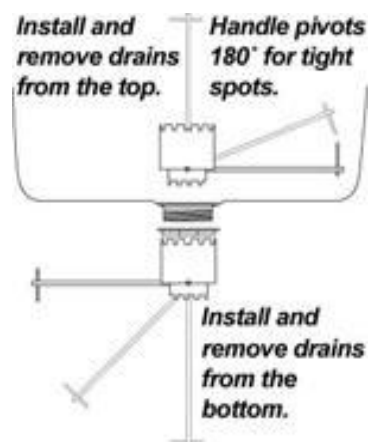
Step 5:

Once the shower base has been installed, use a pipe wrench or Razorback Wrench to tighten the CAULKING NUT until the RUBBER CAULKING GASKET is tight around the pipe.

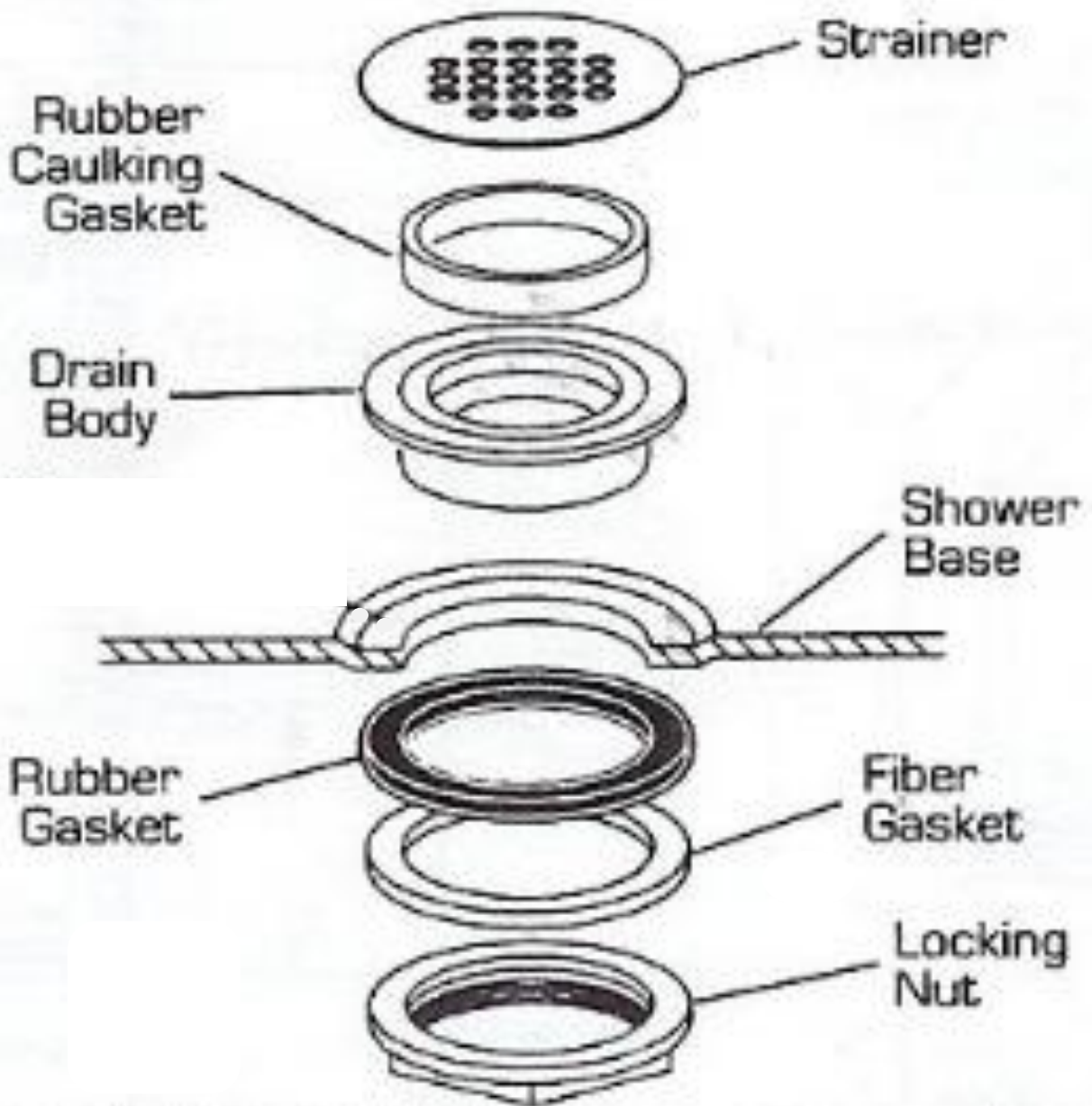
Step 6:

Replace the STRAINER and the drain installation is complete.

Recommended product – Razorback Wrench



DRAIN ASSEMBLY



All installation instructions are provided as a recommendation only and are not intended for design purposes. Tower Industries makes no representations or warranties of any kind concerning these instructions. Tower Industries strongly recommends that the installer test the installation materials and methods in the anticipated service conditions to determine suitability. Due to variances in adhesives, installation skill, and jobsite conditions, Tower Industries cannot accept liability for the results obtained

INSTALLATION OF INDEPENDENT THRESHOLD

Supplies You May Need:

Level	Caulk Gun
Utility knife	Isopropyl Alcohol
Clean Rags or Paper Towels	Tape Measure
1/2" Notched Trowel	Mortar
Saw with masonry blade	Adhesives

Step 1:

Thoroughly inspect the Threshold piece to assure that no damage has occurred during shipping or handling. DO NOT proceed with installation if there is any sign of damage or defects.

Step 2:

Dry fit the Threshold to check for proper sizing. Trim Threshold if needed for better fit.

Cutting Information:

- Use a circular saw with a masonry blade or a belt sander with 80-grit sandpaper to trim and scribe edges.

Important Notes:

Make all cuts from FINISHED SIDE and be sure to PROTECT THE SURFACE with masking tape.

Lightly sand cuts to remove any small chips that may have occurred during the cutting process. The cut should be smooth to the touch with no sharp edges.

Step 4:

Identify any low areas in the subfloor and mark them so that additional adhesive can be applied in these areas.

Step 5:

Using a 1/2" notched trowel, apply Mapei Ultracontact adhesive to the subfloor where the Threshold will be installed. Ensure that the adhesive is spread thoroughly and evenly so as to provide full, even contact between the Threshold and the subfloor below. (i.e. the adhesive should completely fill all voids between the bottom of the Threshold and the floor / sheathing). If you are shimming your Threshold or if you identified any low areas during the dry-fit stage, you will need to apply additional adhesive in these areas in order to ensure full, even contact between the Threshold and the subfloor.

❖ **Recommended Products:**

Tower Industries recommends the use of XtraBond150 RTV Silicone Sealant for use as your Threshold adhesive.

Tower Industries recommends the use of Mapei Ultracontact adhesive for use as your Threshold Thinset.

Step 7:

Apply a generous bead of Silicone Sealant to the top edge of shower base where the Threshold will meet the base.

Step 8:

Set the Threshold in place on top of the adhesives. The Threshold should slope slightly toward the inside of the shower base.

Apply Thinset and Sealant (Steps 5 & 7)



Setting Threshold in place (Step 8)



Step 9:

Check that the shower Threshold is level, side-to-side, by placing a level on top of the Threshold. Maintain a slight slope toward the inside of the Shower Base. Clean away the excess adhesive at the perimeter as directed by the adhesive manufacturer.

Level on top of Threshold (Step 9)



All installation instructions are provided as a recommendation only and are not intended for design purposes. Tower Industries makes no representations or warranties of any kind concerning these instructions. Tower Industries strongly recommends that the installer test the installation materials and methods in the anticipated service conditions to determine suitability. Due to variances in adhesives, installation skill, and jobsite conditions, Tower Industries cannot accept liability for the results obtained.

INSTALLATION INSTRUCTIONS FOR CEILING PANEL

Always install ceiling panel **FIRST**, before any wall panels.

Supplies You May Need:

Utility Knife	Caulk Gun
Sand Paper	Isopropyl Alcohol
Clean Rags	Tape Measure
Fasteners	Pencil
Saw with masonry blade or Router	Masking Tape
Adhesive	Drill

Step 1:

Verify that the shower base or bathtub is properly installed and level. Also verify that moisture-resistant wall-board or cement board has been installed both on the ceiling and on the walls down to the highest point of the water dams.

Step 2:

Place the ceiling panel in its intended location **WITHOUT** any adhesive applied. Mark locations and amounts to be trimmed or scribed, as well as the locations of plumbing, lighting, or other cutouts. Cut openings in the panel as necessary for plumbing, lighting, or other items. Trim/scribe edges of panel so that the resulting gap at the perimeter is not more than 1/8" when installed.

Cutting Information:

- Use a carbide hole saw to cut smaller holes.
- Use an electric router with a single-flute bit and a jig to cut larger holes or irregular shapes. As an alternate, you may also use a jig saw with an abrasive blade (look for the package labeled "for ceramics" or "glass and tile"), but be aware that this method may result in chipping of the edge, which must be sanded smooth prior to proceeding.
- Use a circular saw with a masonry blade or a belt sander with 80-grit sandpaper to trim and scribe the edges of the wall panel.

Important Notes:

Make all cuts from FINISHED SIDE and be sure to PROTECT THE SURFACE with masking tape.

Lay panel on supportive surface to keep panel from bowing during cutting process. Bowing and pressure during cutting process may cause panel to break.

DO NOT leave square inside corners when adding cutouts to wall panels. ALL inside corners must have a minimum 1/4" radius to avoid the potential for cracks later. To cut a square or rectangular cutout from your solid surface, start by using a hole saw at each corner then join each corner with a straight cut.

Notes continued:

Lightly sand the inside of all cut openings to remove any small chips that may have occurred during the cutting process. The inside of the cutout should be smooth to the touch with no sharp edges.

Unless otherwise specified at the time of order, shower ceiling panels are typically supplied slightly oversized for trimming and scribing at time of installation.

Step 3:

Pre-drill holes for mechanical fasteners. Spacing between mechanical fasteners should be no more than 24" in any direction. Suggested layout and spacing for the mechanical fasteners can be found on the next page of these instructions. Be sure that your hole locations coincide with the location of structural members in the ceiling framing to ensure a secure installation. See page 13 for layout.

Important Note:

All holes for mechanical fasteners must be drilled larger than the fastener. The screw threads cannot be in contact with the ceiling panel as the screw passes through the pre-drilled hole.

Step 4:

Once all trimming, scribing, and cutouts have been completed, clean the back of the panel thoroughly with isopropyl alcohol or acetone (Please check local laws regarding the use of acetone and/or other solvents in your area). Then, apply a heavy, continuous bead of SoudaSeal® All-Purpose Adhesive around the perimeter of the panel about 1-1/2" in from each edge. Continue to apply adhesive per the manufacturer's instructions in quarter-size drops no more than 12" apart throughout the remainder of the panel.

❖ **Recommended Product:**

Tower Industries recommends the use of SoudaSeal® all-Purpose Adhesive for use as your ceiling panel adhesive.

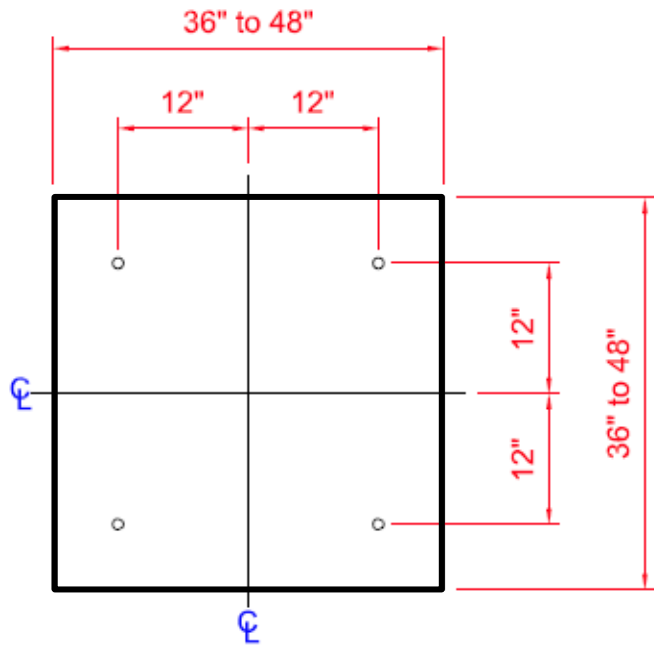
Step 5:

Install the ceiling panel and all mechanical fasteners. Plastic screw head caps are typically used at the time of installation to conceal the screw head and may be purchased at any local hardware store or home center.

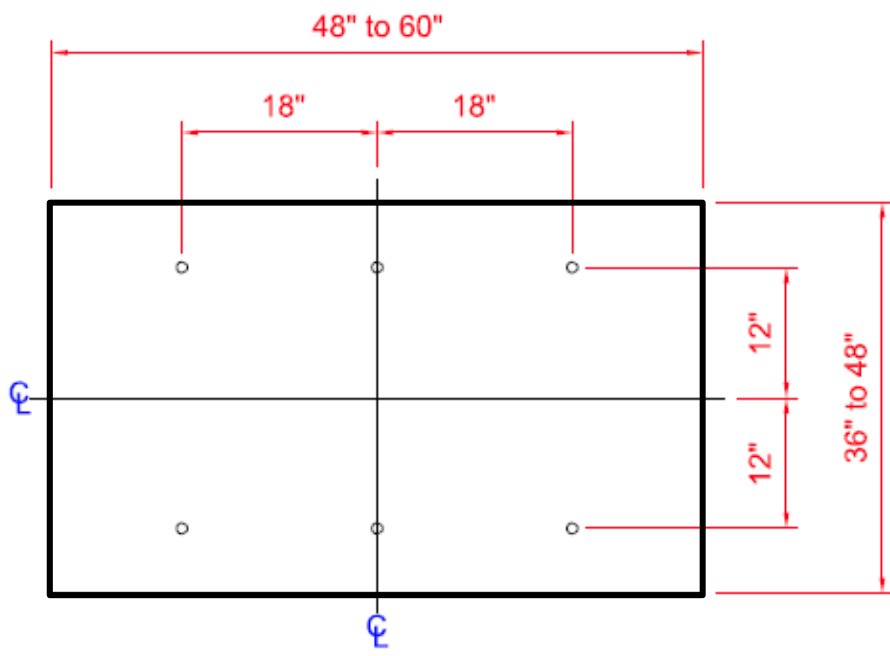
Important Note:

Wood braces may be used to hold the ceiling panel in place while the adhesive cures. Cut wood braces to wedge between the floor and the ceiling panel, being sure to protect the face of the panel with padding or towels.

Step 6: Proceed with installation of wall panels as outlined in Tower Industries' Installation Instructions for Shower Wall Panels.



Celling Panel
Mechanical Fastener Hole Pattern



Celling Panel
Mechanical Fastener Hole Pattern

All installation instructions are provided as a recommendation only and are not intended for design purposes. Tower Industries makes no representations or warranties of any kind concerning these instructions. Tower Industries strongly recommends that the installer test the installation materials and methods in the anticipated service conditions to determine suitability. Due to variances in adhesives, installation skill, and jobsite conditions, Tower Industries cannot accept liability for the results obtained.

INSTALLATION OF SHOWER WALL PANELS

Supplies You May Need:

Utility Knife		Caulk Gun
Sand Paper		Isopropyl Alcohol
Clean Rags		Tape Measure
Fasteners		Pencil
Saw with masonry blade or Router		Masking Tape
Adhesive		Drill

Step 1:

Verify that the shower base or bathtub is properly installed and level. Verify that moisture-resistant wall-board or cement board has been installed down to the highest point of the water dams. If there are Ceiling Panels they should be installed BEFORE the wall panels.

Step 2:

If recessed accessories are going to be installed, locate and mark the area for the cutout in the wallboard, ensuring that there are no wall studs, wires, or pipes in the way. Follow Installation Instructions for Soap and Shampoo Holder on page 23.

Hole for Recessed Soap Holder



Holes for Shower Fixtures



Step 3:

Place the back wall panel in its intended location WITHOUT any adhesive applied. Mark locations and amounts to be trimmed or scribed, as well as the locations of plumbing and accessory cutouts. Cut openings in the panel as necessary for plumbing and accessories. Trim/scribe edges of panel so that the resulting gap at the perimeter is not more than 1/8" when installed.

Cutting Information:

- Use a carbide hole saw to cut smaller holes.
- Use an electric router with a single-flute bit and a jig to cut larger holes or irregular shapes. As an alternate, you may also use a jig saw with an abrasive blade (look for the package labeled “for ceramics” or “glass and tile”), but be aware that this method may result in chipping of the edge, which must be sanded smooth prior to proceeding.
- Use a circular saw with a masonry blade or a belt sander with 80-grit sandpaper to trim and scribe the edges of the wall panel.

Important Notes:

Make all cuts from FINISHED SIDE and be sure to PROTECT THE SURFACE with masking tape.

Lay panel on supportive surface to keep panel from bowing during cutting process. Bowing and pressure during cutting process may cause panel to break.

DO NOT leave square inside corners when adding cutouts to wall panels. ALL inside corners must have a minimum 1/4” radius to avoid the potential for cracks later.

Lightly sand the inside of all cut openings to remove any small chips that may have occurred during the cutting process. The inside of the cutout should be smooth to the touch with no sharp edges.

Unless otherwise specified at the time of order, shower wall panels are typically supplied slightly oversized for trimming and scribing at time of installation.

❖ *Recommended Product:*

Tower Industries recommends the use of SoudaSeal® all-Purpose Adhesive for use as your wall panel adhesive.

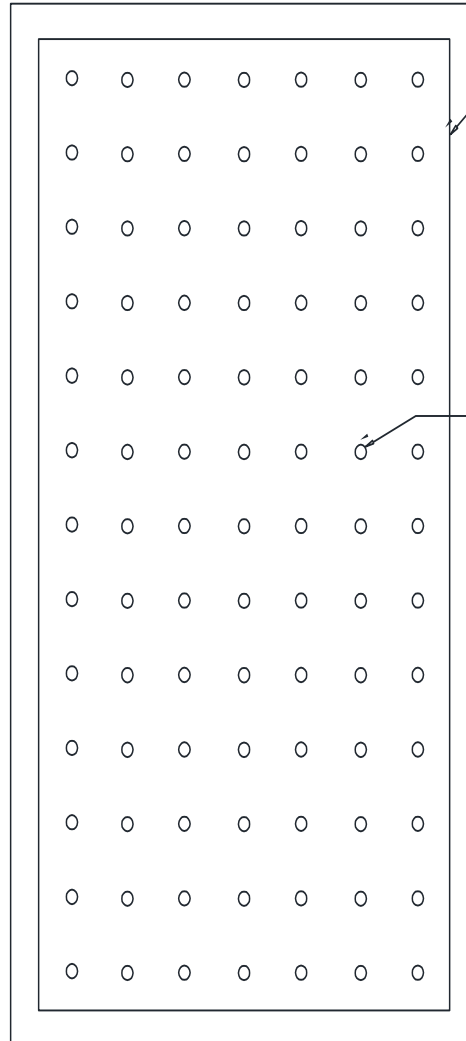
Step 4:

Once all trimming, scribing, and cutouts have been completed, clean the back of the panel thoroughly with isopropyl alcohol or Acetone. (Please check local laws regarding the use of solvents in your area). Then, apply a heavy, continuous bead of SoudaSeal® All-Purpose Adhesive around the perimeter of the panel about 1-1/2” in from each edge. Continue to apply adhesive per the manufacturer’s instructions in quarter-size drops no more than 12” apart throughout the remainder of the panel. (See page 16 for layout)

Adhesive application (Step 4)



Back side of Panel

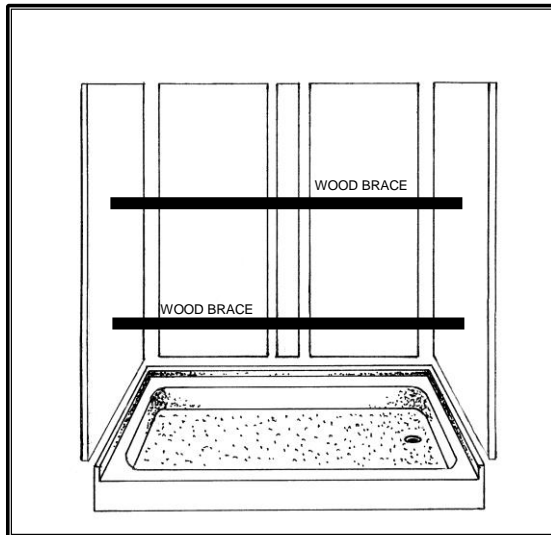


Apply a continuous bead of adhesive.

Apply adhesive in quarter-size drops no more than 12" apart.

Important Note:

Hot melt adhesive or wood braces may be used to hold panels in place while the adhesive cures. Apply hot melt on each corner approximately 1" from each edge or cut wood braces to wedge against the panels while the adhesive cures, being sure to protect the face of the panels with padding or towels.



Important Note:
Use padding or towels on the ends of the wood bracing to protect panels.

Step 5:
Repeat steps 3 and 4 for each remaining wall panel.

Step 6:
Install shower trim moldings and accessories, if applicable. See next section for installation instructions.

Step 7:
Caulk all joints using 100% Silicone caulk or Acrylic Latex caulk.

Caulk ALL Joints (Step 7)



All installation instructions are provided as a recommendation only and are not intended for design purposes. Tower Industries makes no representations or warranties of any kind concerning these instructions. Tower Industries strongly recommends that the installer test the installation materials and methods in the anticipated service conditions to determine suitability. Due to variances in adhesives, installation skill, and jobsite conditions, Tower Industries cannot accept liability for the results obtained.

INSTALLATION INSTRUCTIONS FOR CORNER TRIM AND BATTEN TRIM

Supplies You May Need:

Utility Knife	Tape Measure
Caulk Gun	Saw
Isopropyl Alcohol	Pencil
Clean rags	Hot melt adhesive
Adhesive	Masking Tape

Step 1:

Install Solid Surface Wall Panels first per instructions.

Step 2:

Dry fit each piece to check for proper sizing. Trim any pieces that need to be better fit.

Cutting Information:

- Use a circular saw with a masonry blade or a belt sander with 80-grit sandpaper to trim and scribe edges.

Important Notes:

Make all cuts from FINISHED SIDE and be sure to PROTECT THE SURFACE with masking tape.

Lightly sand all cuts to remove any small chips that may have occurred during the cutting process. The cut should be smooth to the touch with no sharp edges.

Step 3:

Clean all trim pieces with isopropyl alcohol or acetone (Please check local laws regarding the use of acetone and/or other solvents in your area). **This step is important to ensure good adhesion between the solid surface pieces.**

Step 4:

Apply a generous bead of Silicone Sealant to the back of the trim piece. You may also want to use a few dabs of hot melt glue to help temporarily hold the trim piece until the silicone is dry.

❖ *Recommended Product:*

Tower Industries recommends the use of XtraBond150 RTV Silicone Sealant for use as your trim adhesive.

Step 5:

Press trim piece firmly into place making sure to press in all areas. Sealant should squeeze out a little on the sides to make sure good contact has been made and enough sealant has been used.

Apply adhesive to trim molding (Step 4)



Install Batten at top of panel. (Step 5)



Step 6:

Use a clean towel or rag to wipe away any adhesive that squeezed out along trim edge.

Batten at Inside Corner Mold



Inside Corner Mold at Base



Outside Corner Mold at Base



Step 7:

Caulk all joints using 100% Silicone caulk.

All installation instructions are provided as a recommendation only and are not intended for design purposes. Tower Industries makes no representations or warranties of any kind concerning these instructions. Tower Industries strongly recommends that the installer test the installation materials and methods in the anticipated service conditions to determine suitability. Due to variances in adhesives, installation skill, and jobsite conditions, Tower Industries cannot accept liability for the results obtained.

INSTALLATION INSTRUCTIONS FOR CORNER SOAP & SHAMPOO CADDY

Supplies You May Need:

Utility Knife	Tape Measure
Caulk Gun	Adhesive
Isopropyl Alcohol	Pencil
Clean Rags or Towels	Hot melt adhesive
Drill and Masonry or Metal Bit	Fasteners

Corner Caddy

Step 1:

Locate the height at which the corner caddy is to be installed. For most installations, the top of the corner caddy should be between 65" or 75" from the floor. Make a light pencil mark at your preferred height.

Step 2:

Measure down 1-1/8" from your pencil mark and make another mark. This is the height at which the Corner Bracket will be installed.

Step 3:

Using a drill bit that is slightly larger than your fastener, drill a hole diagonally through the corner bracket so that the installed fastener will engage the wall structure through the gap **between** the wall panels. If there is no gap between the panels (i.e. you are not using a corner molding), then you must also pre-drill a hole through the panels.

Note: Corner bracket may also be installed using silicone and a hot melt glue gun instead of drilling.

Step 4:

Install the Corner Bracket at the marked height, being sure to use the appropriate fastener for your wall structure. For wood framing, use a drywall screw or equivalent. For concrete walls, use a Tapcon® fastener or equivalent.

Step 5:

Turn the Corner Caddy face down on a clean, stable surface, being sure to protect the face of the caddy against scratching. Apply a bead of silicone adhesive around the entire perimeter of the caddy where it will adjoin the wall panels. A few dabs of hot melt glue can be used to temporarily hold the Caddy while adhesive dries.

❖ *Recommended Product:*

Tower Industries recommends the use of XtraBond150 RTV Silicone Sealant for use as your accessory adhesive.

Helpful hint: It helps to install the inside corner trim under the Caddy, set the Caddy and then set the upper part of the inside corner trim. Make sure trim above and below the Caddy is cut at a 45° angle to fit the Caddy properly.

Step 6:

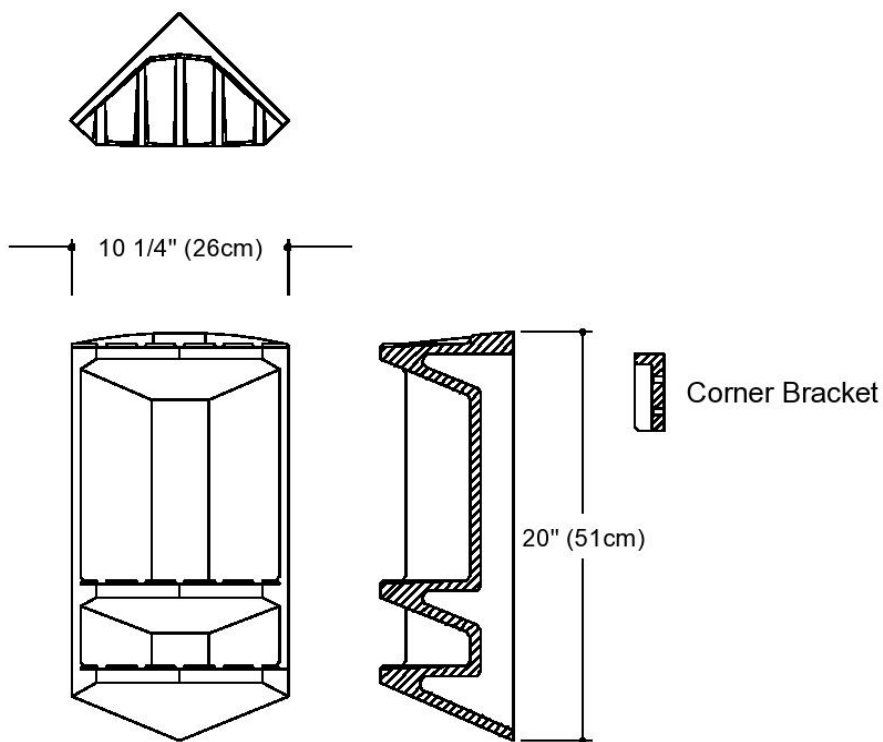
Hang the Corner Caddy on the Corner Bracket and press the unit firmly against both wall panels. Use a clean towel or rag to wipe away any adhesive that squeezed out along the edge.

Step 7:

Caulk all joints using 100% Silicone caulk.

Step 8:

Your Corner Caddy is ready for use after the silicone adhesive has cured per the adhesive manufacturer's instructions.



Corner Caddy



Corner Single Soap Dish

Step 1:

Locate the height at which the Corner Soap Dish is to be installed. Make a light pencil mark at your preferred height.

Step 2:

Clean the Soap Dish piece with isopropyl alcohol or acetone (Please check local laws regarding the use of acetone and/or other solvents in your area). This step is important to ensure good adhesion between the solid surface pieces.

Step 3:

Lay the Soap Dish on a clean, stable surface, being sure to protect the face of the dish against scratching. Apply a ½" bead of silicone adhesive around the edge of the back of the dish where it will adjoin the wall panels. A few dabs of hot melt glue can be used to temporarily hold the Soap Dish while adhesive dries.

❖ *Recommended Product:*

Tower Industries recommends the use of XtraBond150 RTV Silicone Sealant for use as your accessory adhesive.

Step 4:

Place the Soap Dish onto the wall at your marked line and press the unit firmly against both wall panels. Use a clean towel or rag to wipe away any adhesive that squeezed out along the edge.

Step 5:

Caulk all joints using 100% Silicone caulk.

Step 6:

Your Soap Dish is ready for use after the silicone adhesive has cured per the adhesive manufacturer's instructions.

*Single Corner
Soap Dish*



All installation instructions are provided as a recommendation only and are not intended for design purposes. Tower Industries makes no representations or warranties of any kind concerning these instructions. Tower Industries strongly recommends that the installer test the installation materials and methods in the anticipated service conditions to determine suitability. Due to variances in adhesives, installation skill, and jobsite conditions, Tower Industries cannot accept liability for the results obtained.

INSTALLATION INSTRUCTIONS FOR RECESSED SOAP AND SHAMPOO HOLDER

Supplies You May Need:

Utility Knife	Tape Measure
Caulk Gun	Adhesive
Isopropyl Alcohol	Pencil
Clean rags	Router or Jig Saw

Step 1:

Locate the height at which the recessed holder is to be installed. For most installations, the top of the Recessed Holder should be between 65" or 75" from the floor. Make a light pencil mark at your preferred height.

Step 2:

Create a template out of a piece of paper or piece of cardboard. Trace around the outside of the Recessed Holder. Offset your marks $\frac{1}{4}$ " to the inside of your original line using a ruler or tape measure. This is your cut line. Cut out template.

Step 3:

Center template at marked height line on wall panel making sure to locate your template between where studs are located behind the green board. Using a pencil trace around template. Be sure there are no existing electrical or plumbing lines in the wall that is being cut into.

Step 4:

Using a router or jig saw cut along lines making sure to cut through both the wall panel and moisture resistant wall-board layers.

Cutting Information:

- Use a carbide hole saw to cut smaller holes.
- Use an electric router with a single-flute bit and a jig to cut larger holes or irregular shapes. As an alternate, you may also use a jig saw with an abrasive blade (look for the package labeled "for ceramics" or "glass and tile"), but be aware that this method may result in chipping of the edge, which must be sanded smooth prior to proceeding.
- Use a circular saw with a masonry blade or a belt sander with 80-grit sandpaper to trim and scribe the edges of the wall panel.

Important Notes:

Make all cuts from FINISHED SIDE and be sure to PROTECT THE SURFACE with masking tape.

Lay panel on supportive surface to keep panel from bowing during cutting process. Bowing and pressure during cutting process may cause panel to break.

DO NOT leave square inside corners when adding cutouts to wall panels. ALL inside corners must have a minimum 1/4" radius to avoid the potential for cracks later.

Lightly sand the inside of all cut openings to remove any small chips that may have occurred during the cutting process. The inside of the cutout should be smooth to the touch with no sharp edges.



*Opening for
Recessed Holder*

Step 5:

Turn the Recessed Holder face down on a clean, stable surface, being sure to protect the face of the caddy against scratching. Apply a bead of silicone adhesive around the entire perimeter of the caddy where it will adjoin the wall panels.

❖ *Recommended Product:*

Tower Industries recommends the use of XtraBond150 RTV Silicone Sealant for use as your accessory adhesive.

Step 6:

Carefully place the Recessed Holder into the cut hole and press the unit firmly against wall panel with green board behind. Use a clean towel or rag to wipe away any adhesive that squeezed out along the edge.

Back side of Recessed Holder in Wall (Step 6)



Wipe Away Adhesive around Holder (Step 6)



Step 7:

Your Recessed Holder is ready for use after the silicone adhesive has cured per the adhesive manufacturer's instructions.

All installation instructions are provided as a recommendation only and are not intended for design purposes. Tower Industries makes no representations or warranties of any kind concerning these instructions. Tower Industries strongly recommends that the installer test the installation materials and methods in the anticipated service conditions to determine suitability. Due to variances in adhesives, installation skill, and jobsite conditions, Tower Industries cannot accept liability for the results obtained.

INSTALLATION INSTRUCTIONS FOR A SHOWER SEAT

Supplies You May Need:

Utility Knife	Tape Measure
Caulk Gun	Adhesive
Isopropyl Alcohol	Pencil
Clean rags	3 1/2" Stainless Steel Lag Bolts
Drill	Wrench for lag bolts

Step 1:

Secure blocking in the wall between the 2x4 studs at the location and height that you want the seat to be installed. (The top edge of the seat can be located at 18-1/4" above the floor if not otherwise specified.) (See page 27)

Step 2:

Install moisture resistant wall-board per manufacturer's instructions.

Step 3:

Have a helper place and hold the seat at the desired location and height. Mark hole locations on to the moisture resistant wall-board through the pre-drilled holes in the seat. Drill pilot holes for the lag bolts you are using to hang the seat.

Step 4:

Measure out the location of the holes you just drilled to match the same location of the Meridian Solid Surface Wall Panel. Drill the holes 1/4" larger than the diameter of the lag bolts. This will protect the panel from cracks when screwing in the lag bolts used in hanging the seat.

Important Notes:

Holes drilled through the back walls of the seat to accept 3 1/2" stainless steel lag bolts

Holes for mechanical fasteners must be drilled larger than the fastener. Drill holes in wall panel at least 1/4" larger than lag bolt. The screw threads cannot be in contact with the wall panel as the screw passes through the pre-drilled hole.

Step 5:

Install the Meridian Solid Surface Wall Panel following the directions on pages 14-17 in this Handbook.

Step 6:

Place a heavy continuous bead of Silicone Adhesive on the back of the seat. Have a helper press the seat in the desired location and hold in place. Using the 3 ½" lag bolts secure seat through the panel and into the blocking. Alternate tightening each bolt a little at a time. Do not over-tighten the bolts.

❖ Recommended Product:

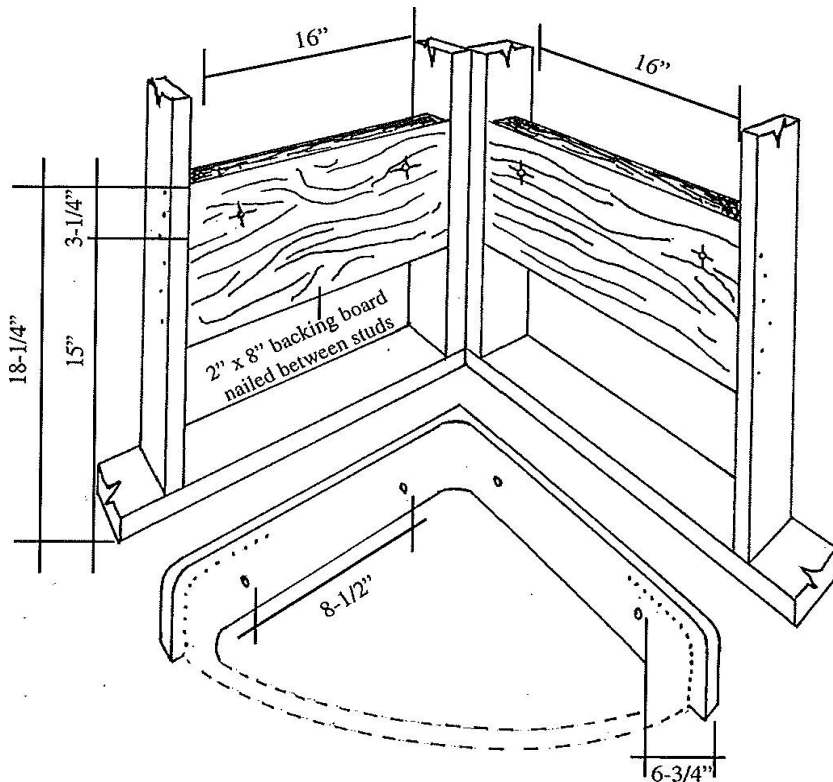
Tower Industries recommends the use of XtraBond150 RTV Silicone Sealant for use as your seat adhesive.

Step 7:

Using a soft cloth, wipe away the excess adhesive at the perimeter of the seat as directed by the adhesive manufacturer.

Step 8:

Caulk perimeter of seat using 100% Silicone caulk.



Installed Shower Seat



NOTE: The shower pan, moisture resistant wall-board and wall panels have been omitted from this illustration for sake of clarity. This drawing shows corner shower seat and site preparation for installation. Both water moisture resistant wall-board and wall panels must be in position before locating the seat. Only then should mounting holes be drilled for installation.

All installation instructions are provided as a recommendation only and are not intended for design purposes. Tower Industries makes no representations or warranties of any kind concerning these instructions. Tower Industries strongly recommends that the installer test the installation materials and methods in the anticipated service conditions to determine suitability. Due to variances in adhesives, installation skill, and jobsite conditions, Tower Industries cannot accept liability for the results obtained.

INSTALLATION INSTRUCTIONS FOR A GRAB BAR

Step 1:

Install mounting flanges onto the grab bar. See Figure 1. On page 29.

Step 2:

Using a level, determine the location of the grab bar. Lightly mark the location.

Use a Level (Step 2)



Mark Location lightly (Step 2)



Step 3:

Using the flanges as a template, transfer 3 holes per flange to the wall. See Figure 2. on page 29

Step 4:

Drill holes at each fastener location using a drill bit that is 1/8" larger than the fastener.

Step 5:

Where applicable use anchors in the holes from the previous step. See Figure 3. on page 29.

Step 6:

Using the appropriate fasteners, screw the grab bar into the wall . See Figure 3. on page 29.

Step 7:

Snap the flange covers over the flanges.

Important Notes:

Install grab bars into solid wall structure or pre-installed blocking.

Some grab bars have a plastic concealing flange that needs to be installed between the wall and the mounting flange.

FIG. 1

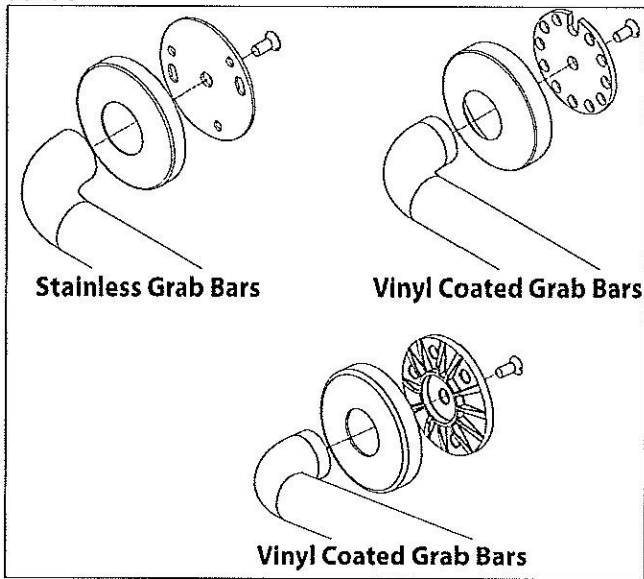
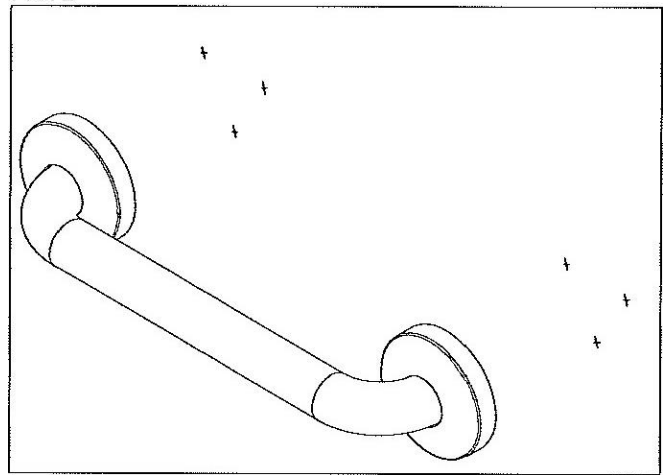
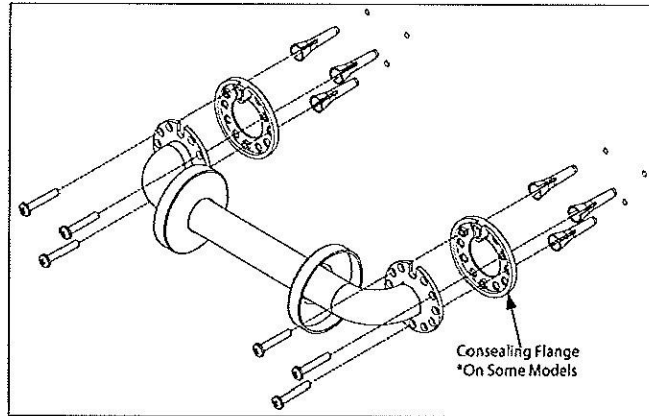


FIG. 2



Grab bar Flange

FIG. 3



Grab Bar



All installation instructions are provided as a recommendation only and are not intended for design purposes. Tower Industries makes no representations or warranties of any kind concerning these instructions. Tower Industries strongly recommends that the installer test the installation materials and methods in the anticipated service conditions to determine suitability. Due to variances in adhesives, installation skill, and jobsite conditions, Tower Industries cannot accept liability for the results obtained.

INSTALLATION INSTRUCTIONS FOR LIGATURE RESISTANT DRAIN COVER In Oatey #42150 Shower Drain

Supplies You May Need:

Ligature Resistant Drain Cover	Drain Cover Installation Tool
Clean Rags or Paper Towels	

Step 1:

Remove existing stainless strainer by popping out with a screw driver.

Step 2:

Place Ligature Resistant cover over drain opening. Screw drain cover into place using shower drain cover installation tool. Insert two pins into the two holes in the cover and twist clockwise to tighten.

Oatey Drain Opening



Model #SDC-AL-1-S Ligature Resistant Drain Cover



To Remove Drain Cover:

Remove drain cover using shower drain cover installation tool. Insert two pins into the two holes in the cover and twist counter-clockwise to loosen.

Model #SDC-AL-1-S Ligature Resistant Drain Cover and Installation Tool



Model # SDC-AL-1-S

Description

- The flush mounting shower drain cover's patented design helps lower the risks of suicide, self-harm, and the concealing of contraband.
- Designed for behavioral healthcare facilities to help reduce the risk of suicide, self-harm, and the concealing of contraband.
- 5 gallons of water per minute discharge
- Manufactured from SAE 304 Stainless Steel with nylon thread locking insert
- Designed for use with Tower Industries' Meridian Solid Surface® Shower Systems

Cleaning and Maintenance

SDC-AL-1-S should be cleaned with a soft damp cloth using only mild liquid detergents or soap and water. Do not use cleaning agents containing a corrosive acid, scouring agents or solvents. Regular maintenance should be carried out in accordance the installation and troubleshooting guides provided with the product, relevant standards, local authorities, and state codes.

DISCLAIMER: This product is designed to decrease the probability that it may be utilized as an apparatus for ligature. It is not a replacement for professionals who are trained in the proper evaluation, management and supervision of persons at risk of suicide

All installation instructions are provided as a recommendation only and are not intended for design purposes. Tower Industries makes no representations or warranties of any kind concerning these instructions. Tower Industries strongly recommends that the installer test the installation materials and methods in the anticipated service conditions to determine suitability. Due to variances in adhesives, installation skill, and jobsite conditions, Tower Industries cannot accept liability for the results obtained.

Adhesive Usage Chart

Name	Size	Color	Use	Coverage
Mapei Ultra Contact Adhesive (# 2013050)	50 lb. Bag	Gray	Adhere Shower Base	Covers 38-45 Sq. Ft. Using recommend 1/2"x1/2"x1/2" Trowel
SoudaSeal AP Adhesive	10.1 fl. oz.	White	Adhere Panel to Wall	1 Tube 24 Sq. Ft. 1 Tube per 36" Panel 1.5 Tubes per 48" Panel 2 Tubes per 60" Panel
XtraBond 150	10.1 fl. oz.	Translucent	Finish Seam Caulking Non- Paintable	1/8" Bead = 100 Lin. Ft. 1 Tube per Typ. Shower Unit 2 Tubes per Complex Shower Unit
Siliconized Acrylic Sealant, Xtrabond 50	10.1 fl. oz.	White	Finish Seam Caulking Paintable	1/8" Bead = 100 Lin. Ft. 1 Tube per Typ. Shower Unit 2 Tubes per Complex Shower Unit
Artisan Adhesive	250 ml	Several Colors	Hard Seam Adhesive	1/8" Bead = 100 Lin. Ft.

THREE WALL SHOWER INSTALLATION GUIDE & DIAGRAMS

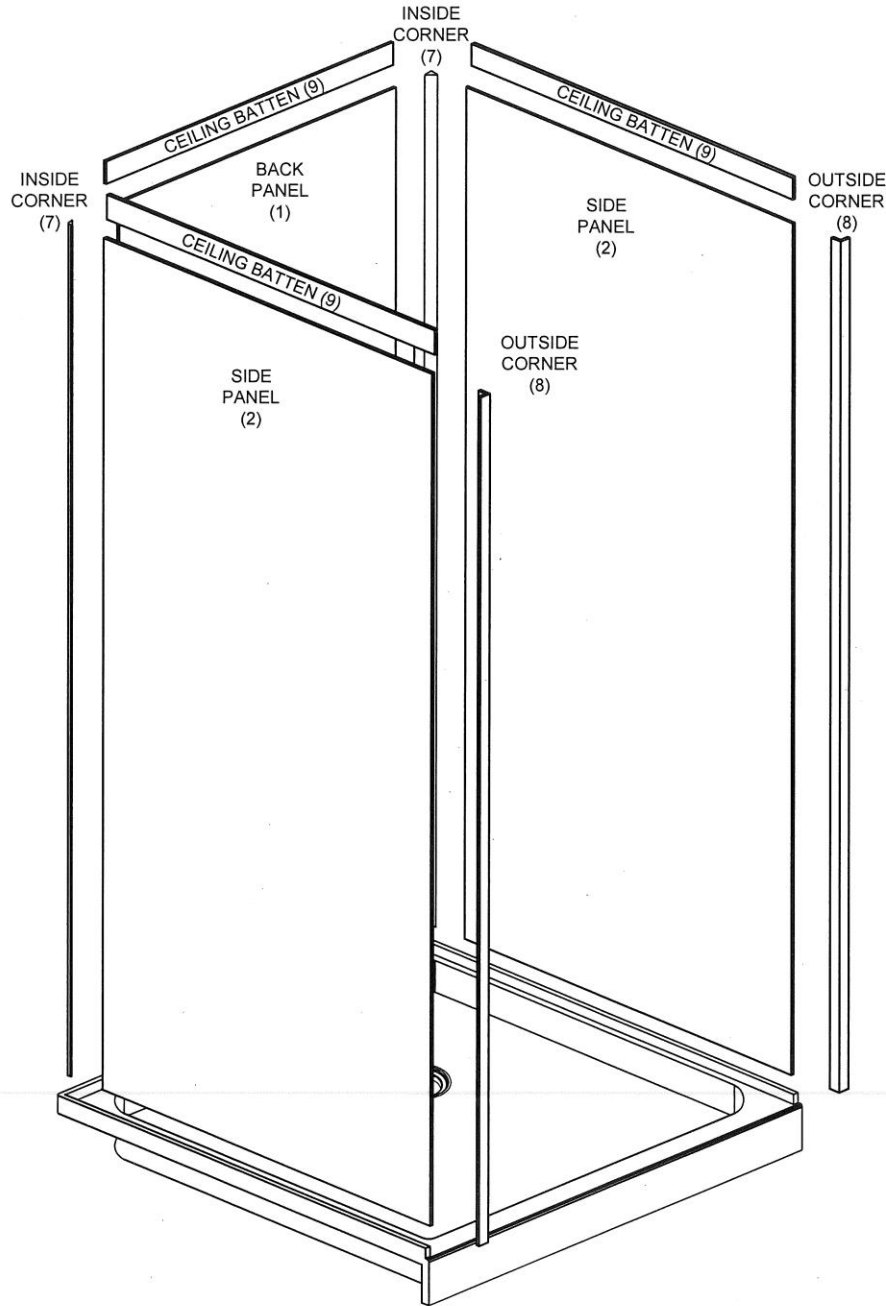


DIAGRAM 1.1

STEP BY STEP INSTALLATION GUIDE

***Follow Steps 1-9 During Installation**

1. Back Panel
2. Side Panels
3. Soap & Shampoo Caddy (If Included)
4. Corner Soap Dish (If Included)
5. Recessed Soap (If Included)
6. Shower Seat (If Included)
7. Inside Corners (If Included)
8. Outside Corners (If Included)
9. Ceiling Batten Trim (If Included)

PLEASE NOTE

*Shower Diagrams show all available Meridian Shower Trim & Accessories for informational purposes only and is not a representation of your exact order.

*Diagrams do not show the exact mounting height of each item.

*Disregard any steps for items not included in your order

THREE WALL SHOWER INSTALLATION GUIDE & DIAGRAMS

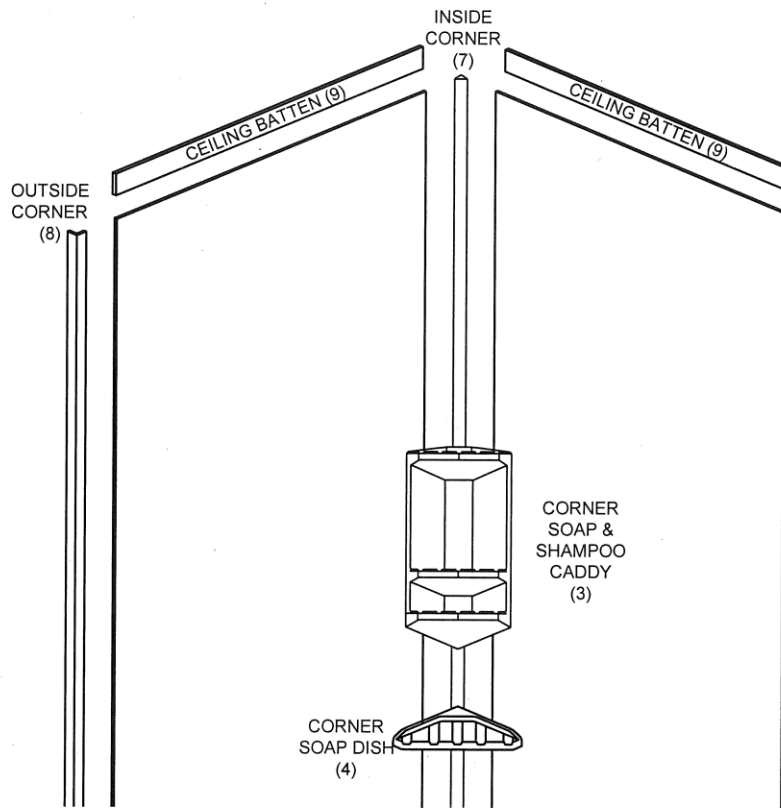


DIAGRAM 1.2

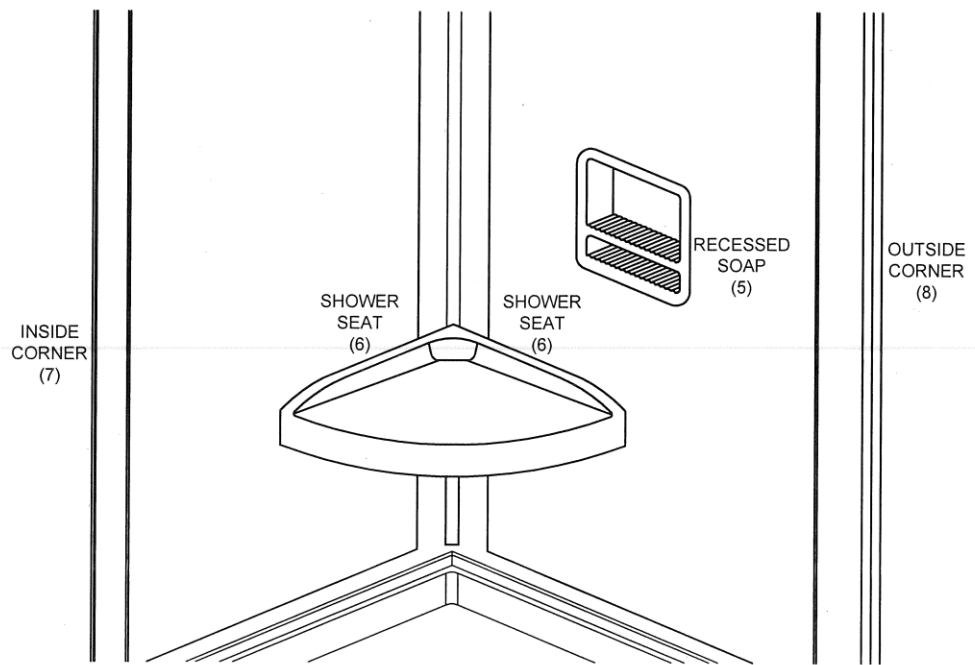


DIAGRAM 1.3

NEO ANGLE SHOWER INSTALLATION GUIDE & DIAGRAMS

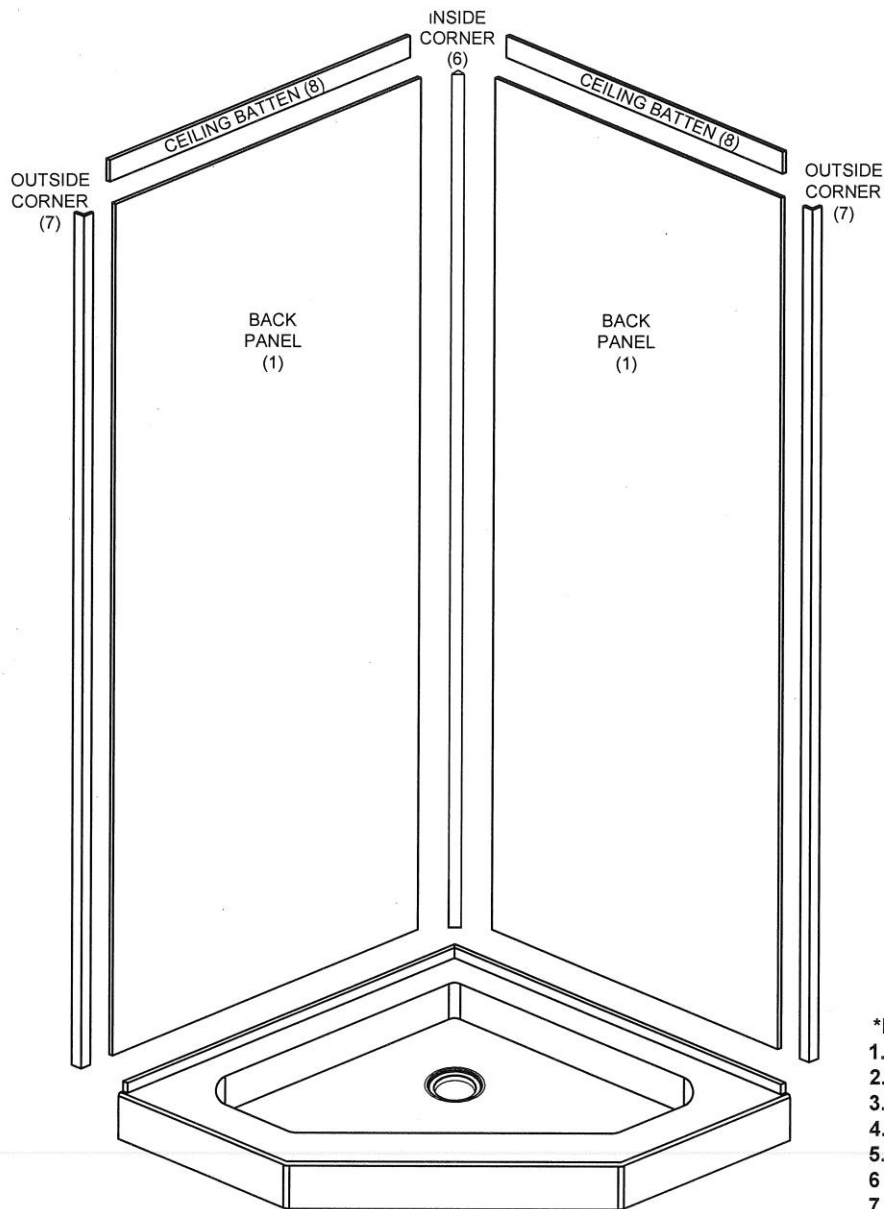


DIAGRAM 1.1

STEP BY STEP INSTALLATION GUIDE

***Follow Steps 1-8 During Installation**

1. Back Panel
2. Soap & Shampoo Caddy (If Included)
3. Corner Soap Dish (If Included)
4. Recessed Soap (If Included)
5. Shower Seat (If Included)
- 6 Inside Corners (If Included)
- 7 Outside Corners (If Included)
- 8 Ceiling Batten Trim (If Included)

PLEASE NOTE

*Shower Diagrams show all available Meridian Shower Trim & Accessories for informational purposes only and is not a representation of your exact order.

*Diagrams do not show the exact mounting height of each item.

*Disregard any steps for items not included in your order

NEO ANGLE SHOWER INSTALLATION GUIDE & DIAGRAMS

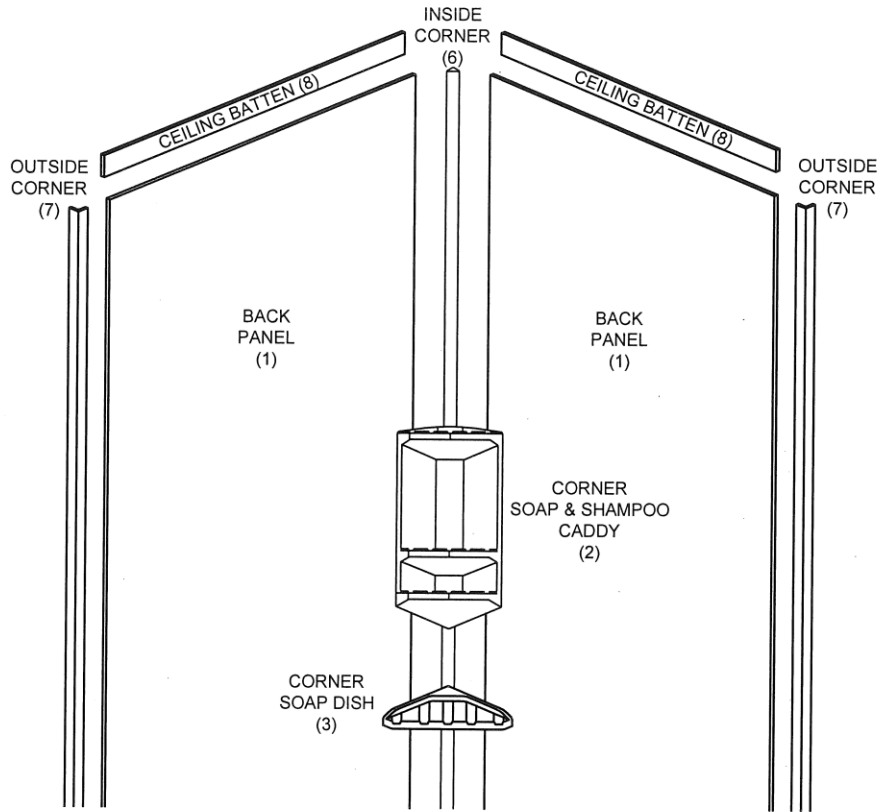


DIAGRAM 1.2

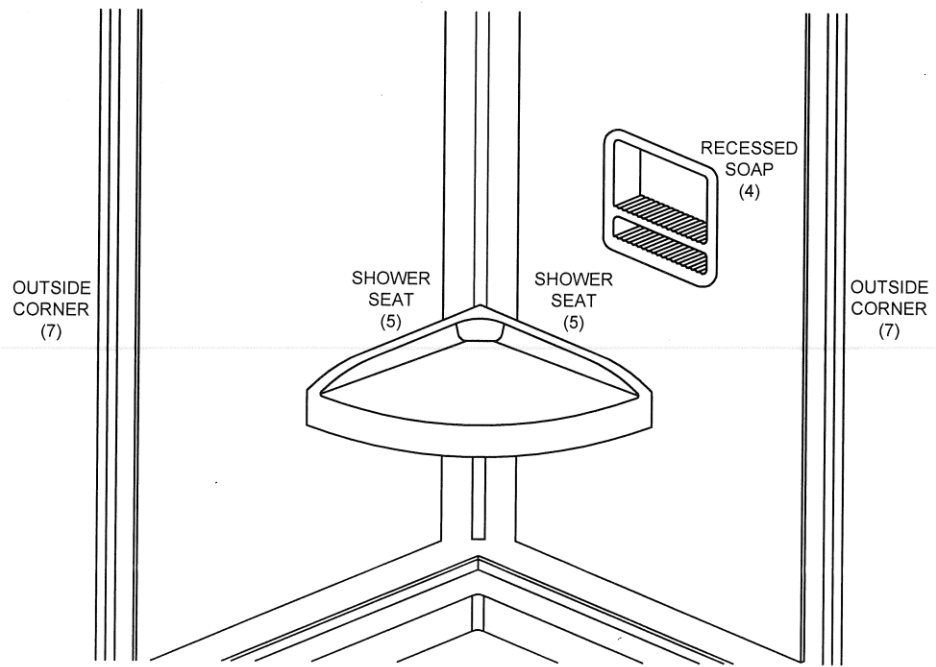
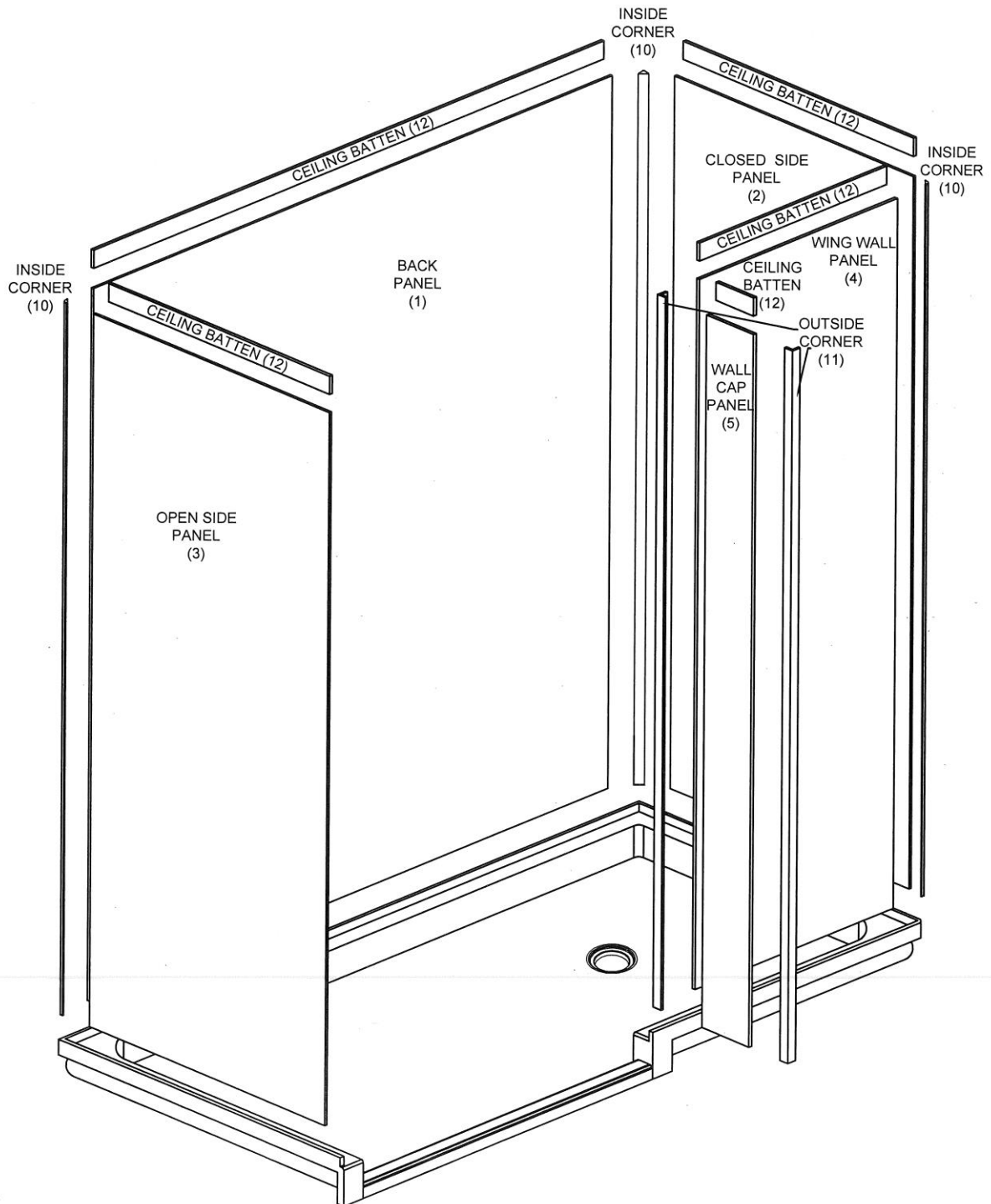


DIAGRAM 1.3

WING WALL SHOWER INSTALLATION GUIDE & DIAGRAMS



THREE WALL SHOWER INSTALLATION GUIDE & DIAGRAMS

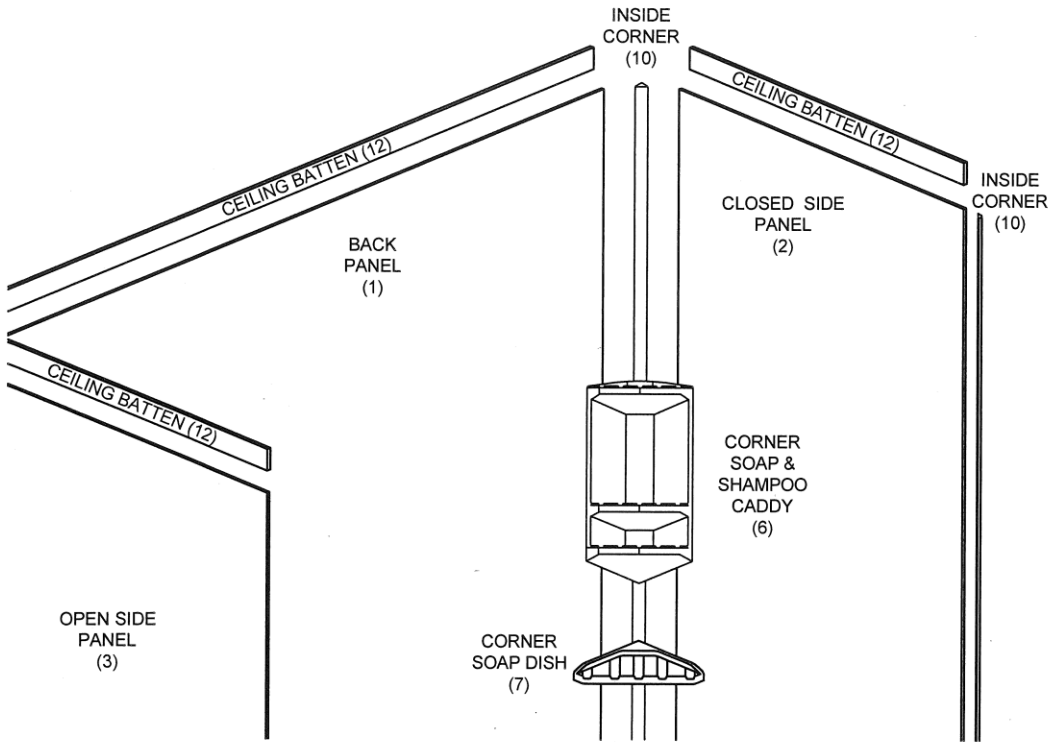


DIAGRAM 1.2

STEP BY STEP INSTALLATION GUIDE

***Follow Steps 1-12 During Installation**

1. Back Panel
2. Closed Side Panel
3. Open Side Panel
4. Wing Wall Panel
5. Wall Cap Panel (If Included)
6. Soap & Shampoo Caddy (If Included)
7. Corner Soap Dish (If Included)
8. Recessed Soap (If Included)
9. Shower Seat (If Included)
10. Inside Corners (If Included)
11. Outside Corners (If Included)
12. Ceiling Batten Trim (If Included)

PLEASE NOTE

- *Shower Diagrams show all available Meridian Shower Trim & Accessories for informational purposes only and is not a representation of your exact order.
- *Diagrams do not show the exact mounting height of each item.
- *Disregard any steps for items not included in your order

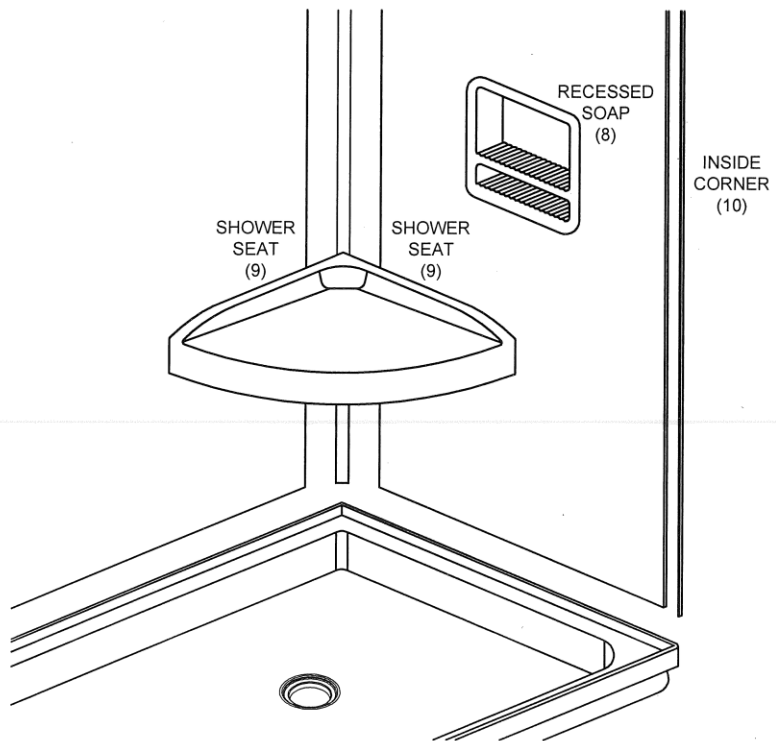


DIAGRAM 1.3

CARE AND CLEANING INSTRUCTIONS

Meridian Solid Surface® Shower Products

Your Meridian Solid Surface® shower product is made from a non-porous blend of polyester resin and natural mineral fillers. It is solid from front to back and from top to bottom, with no surface coating or overlay finish to disrupt. You can protect the beauty of your Meridian Solid Surface® shower product and ensure a long life of trouble-free service by observing the following guidelines.

GENERAL CARE AND CLEANING

1. Meridian Solid Surface® is easy to clean using warm water and any normal household detergent, followed with a clear water rinse. Mildly abrasive cleaners may be used with caution on matte finished Meridian Solid Surface® products, but should be tested in an inconspicuous area before use to ensure that the finish is not damaged by the abrasive.
2. Normal household stains and minor abrasions may be easily corrected in any matte-finished Meridian Solid Surface® shower product by using a white, green, or maroon Scotchbrite® Scouring Pad by 3M Corp.
3. Deep scratches or gouges in your matte-finished Meridian Solid Surface® shower product may be sanded with standard 220 & 320-grit sandpaper. Depending on the severity of the damage and the finish of your product, we suggest that you begin with the least coarse grit first and work your way up to the finest grit sandpaper. You may then use a Scotchbrite® Scouring Pad to return the product to its original luster.

PLEASE NOTE:

The pebble-textured finish that is provided on the surface of most Meridian Solid Surface® shower bases cannot be sanded as outlined above. Sanding the surface of a Meridian Solid Surface® shower base will remove the non-slip pebble texture, resulting in a smooth, matte finish in the sanded area.

DO NOT apply sealers, waxes, penetrants, or other topical treatments to your Meridian Solid Surface® shower product(s) under any circumstances.

Installation Tips

- Read all directions before beginning installation.
- Have all Recommended Installation Products on hand before you begin.
 - Razorback Wrench – for drain installation
 - Herculies “Sta-Put” (Stain-less) Plumbers Putty – for drain installation
 - Mapei Ultracontact – Thinset for Shower Base and Threshold Installation
 - SoudaSeal® All-Purpose Adhesive – For Panel installation
 - XtraBond 150 RTV Silicone Sealent – For joint caulking
- Meridian Solid Surface products are made from a strong solid material and can be very heavy. Having a helper is a true asset to your successful installation.
- Shower Bases should be protected by a piece of wood or cardboard while installing the ceiling and wall panels.
- Hot glue can be used to help temporarily hold trim pieces while the other adhesives are setting.

Other Forms of Help

We have several Installation videos on You Tube for an easy viewing tutorial. Just look for our page under Tower Industries and please don't forget to “Like” us while you are there.

Our Website: www.TowerSurfaces.com

For Installation Direction Videos: <https://www.youtube.com/TowerSurfaces>

For Installation Videos and Printed Material:

<https://www.towersurfaces.com/resources/> and click on Installation Instructions at the bottom of the page.

About Tower Surfaces

Tower Industries provides creative solid surface solutions for institutional, commercial, industrial, and residential applications. Based in Massillon, Ohio, our products include countertops, sinks, conference tables, shower bases, and cabinets. Tower Industries also offers custom fabrication services, while targeting industries ranging from hotels and restaurants, to universities, hospitals and healthcare facilities, builders and contractors, and many others. To see examples of other previously completed projects or to learn more about the company and their products, visit TowerSurfaces.com, or call 800.807.8889 to speak with a representative.

Tower Industries would like to Thank You for purchasing our Meridian Solid Surface Products.

www.TowerSurfaces.com | 2101 9th Street SW, Massillon, OH 44647 | (330) 837-2216